

HANDWHEEL for soft sealing gate valve DN 20 - 600

05.100



Product description

- Handwheel for soft sealing gate valve

Features

- Handwheel in printed steel for DN 20 ($\frac{3}{4}$ "") to DN 200 soft sealing valve with black polyester coating
- Handwheel in ductile cast iron (EN-GJS-500-7) form DN 250 to DN 600 soft sealing valve, coated with black synthetic enamel paint
- Consult our technical services for other dimension.



Fucoli Somepal
FUNDAÇÃO DE FERRO, S. A.

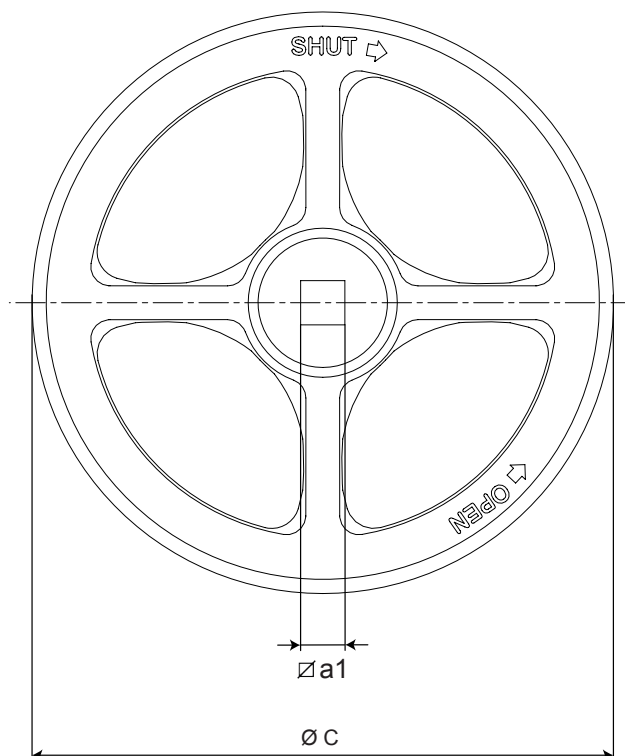
Visit our website at www.fucoli-somepal.pt

Head office: Estrada de Coselhas, 3000-125 Coimbra – Portugal | Tel.: (+351) 239 490100 | Fax: (+351) 239 490198

Branch office: Rua de Aveiro 50, 3050-420 Pampilhosa – Portugal | Tel.: (+351) 239 490100 | Fax: (+351) 231 949292 | comercial@fucoli-somepal.pt

HANDWHEEL
for soft sealing gate valve
DN 20 - 600

05.100



Component list

pos.	components	material	standard
a	Handwheel	Printed stell ST W24	EN 10111 and 10130
b	Handwheel	Ductile iron EN-GJS-500-7	EN 1563

Reference and dimensions

pos.	DN	code	Ø C mm	Ø a1 mm	Kg approx.
a	20 (¾") / 25 (1") / 32 (1 ¼") / 40 (1 ½") / 50 (2") / 40 / 50	10709511	150	14	0.5
a	60 / 65 / 80	10709520	200	17	1
a	100	10709525	250	19	2
a	125 / 150	10709531	300	19	2
a	200	10709540	400	24	4
b	250	10709440	500	27	9
b	300	10709535	600	27	13
b	350 / 400	10709545	800	32	23
b	450 / 500	10709490	1000	32	29
b	600	10709515	1200	41	42



Fucoli Somepal
FUNDIÇÃO DE FERRO, S.A.

Visit our website at www.fucoli-somepal.pt

Head office: Estrada de Coselhas, 3000-125 Coimbra – Portugal | Tel.: (+351) 239 490100 | Fax: (+351) 239 490198

Branch office: Rua de Aveiro 50, 3050-420 Pampilhosa – Portugal | Tel.: (+351) 239 490100 | Fax: (+351) 231 949292 | comercial@fucoli-somepal.pt



100% MADE IN EUROPE